

Stapler Auto Fire / Zszywacz automat , model: 380/16-B45A

Dane techniczne:

BIZON 380/16-B45A ; indeks: 4500600060

Zszywki typ: 380 (80) długość: 6 – 16 mm

Magazynek: 1 pakiet 150 sztuk

Ciśnienie robocze: 0,4 – 0,7 MPa

Wymiary: 232x155x 42 mm

Waga: 1,12 kg



NO.	DESCRIPTION	index
1	Cap	4552100160
2	O-ring	4552100002
3	Stopper Seal	4552100200
4	Collar	4552100270
6	O-ring	4500603150
7-1	Piston	4542001814
7-2	Piston Pin	4500610460
7-3	Driver Blade	4550000182
8	Cylinder	4552100261
9	O-ring	4552100009
10	Supply Hole Seal	4552100220
11	Bumper	4552100186
12	Valve Head A	4552105045
13	O-ring	4552100013
14	O-ring	4552100014
15	O-ring	4552100015
16	Valve Plunger A Seal	4552105047
17	Valve Plunger A	4552105046
18	O-ring	4552100018
19	O-ring	4552100019

20	O-ring	4500660160
21	Valve Plunger A Bumper	4552105053
22	Valve Head B	4552105054
23	Valve Plunger B	4552105055
24	O-ring	4552100024
25	O-ring	4552100025
26	Valve Stem C	4552105050
27	O-ring	4552100027
28	O-ring	4552100028
29	Valve Stem Spring	4552168908
30	Valve Stem A	4552105057
31	O-ring	4552100031
32	Valve Stem Plunger	4552105058
33	O-ring	4552100033
34	Valve Stem B	4552105059
35	O-ring	4552100035
36	O-ring	4552100036
37	Valve Housing	4552105042
38	O-ring	4552100038
39	Speed Controller	4552105044
40	Bolt(M4X10L)	4500753400

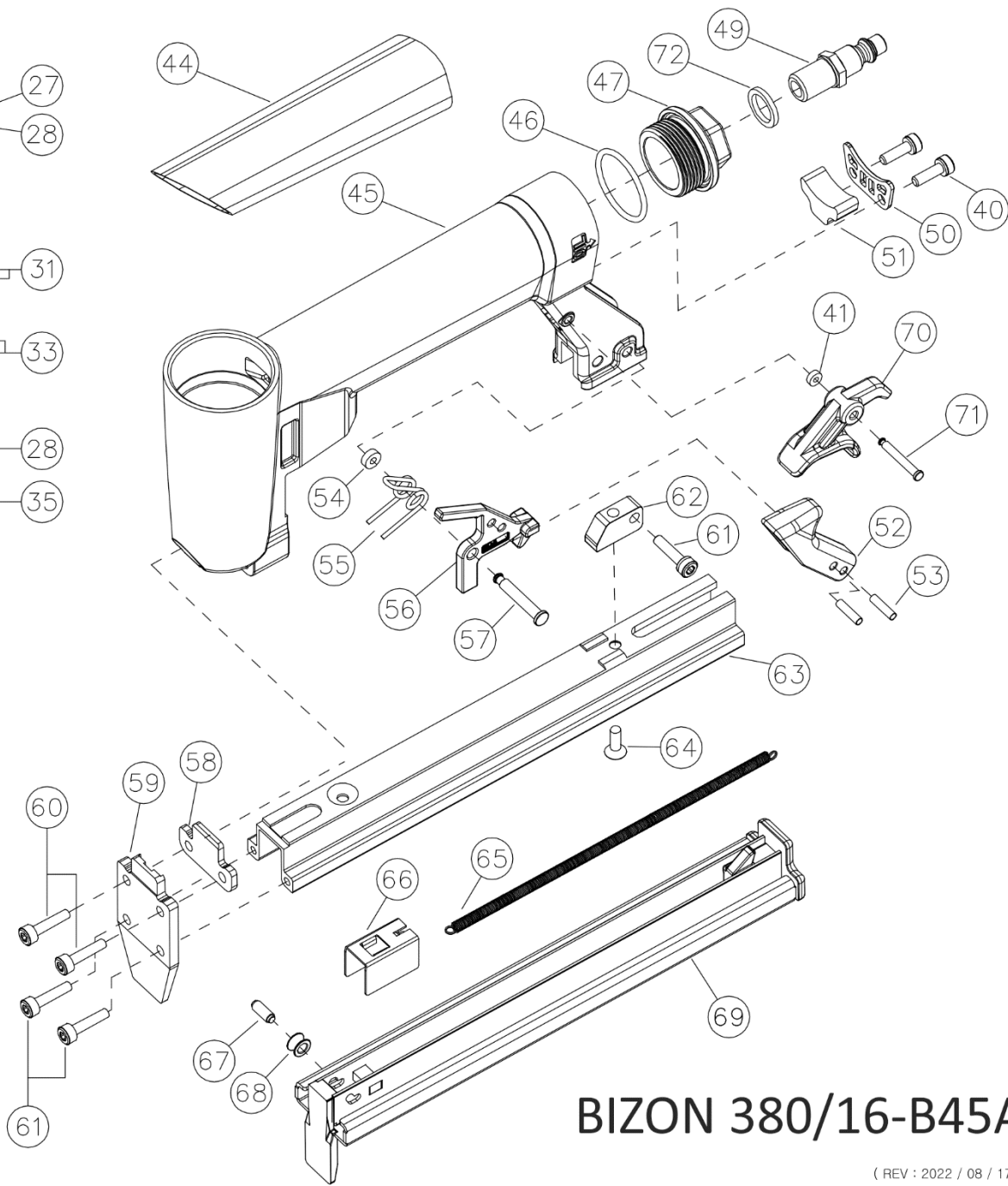
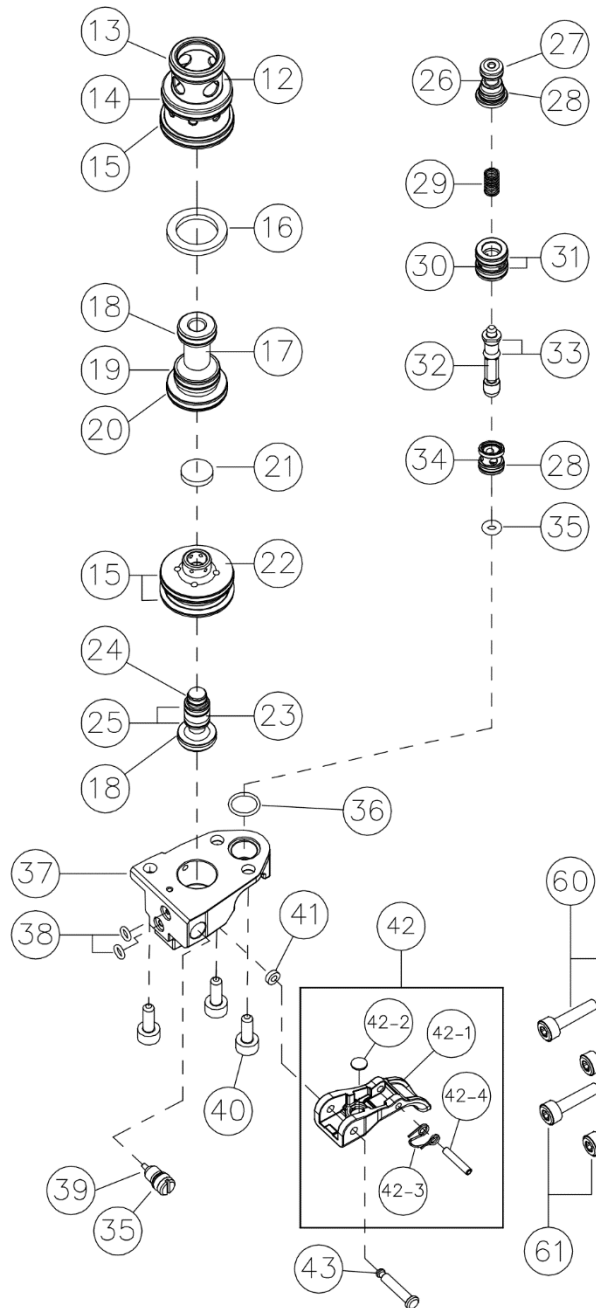
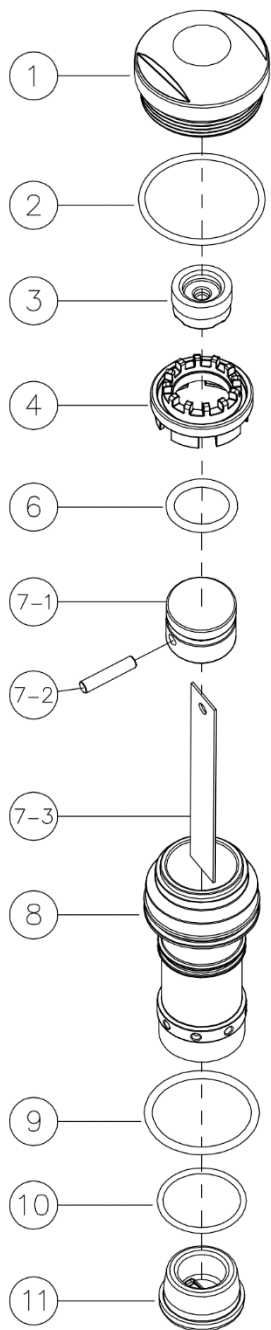
41	Pin Stopper O-ring	4500620020
42	Trigger Set	4552104310
42-1	Trigger	4552104311
42-2	Trigger plate	4552104312
42-3	Spring	4552104313
42-4	Pin	4552104314
43	Click Lever Pin	4552100390
44	Grip	4552101095
45	Body	4552105005
46	O-ring	4552100046
47	End Cap	4552110091
49	Air Plug	4500879350
50	Exhaust Cover	4552100131
51	Silencer	4552100130
52	Click Lever A	4552100159
53	Roll Pin	4552100697
54	Pin Retainer	4500620021
55	Click Lever Spring	4552100600
56	Click Lever	4552101650

57	Click Lever Pin	4552100391
58	Spacer	4552101770
59	Driver Guide	4550001720
60	Bolt (M4X20L)	4500753430
61	Bolt (M4X16L)	4500753420
62	Magazine Joint	4552100370
63	Magazine A	4550001030
64	D/H Bolt	4500785440
65	Pusher Spring	4542001280
66	Pusher	4542001511
67	Roller Pin	4550000153
68	Roller	4552100152
69	Magazine B Set	4550001120
70	Click Lever B	4542001561
71	Click Lever B Pin	4500610033
72		4552130900

(REV. : 2022/08/17)



AUTO FIRE STAPLER



BIZON 380/16-B45A