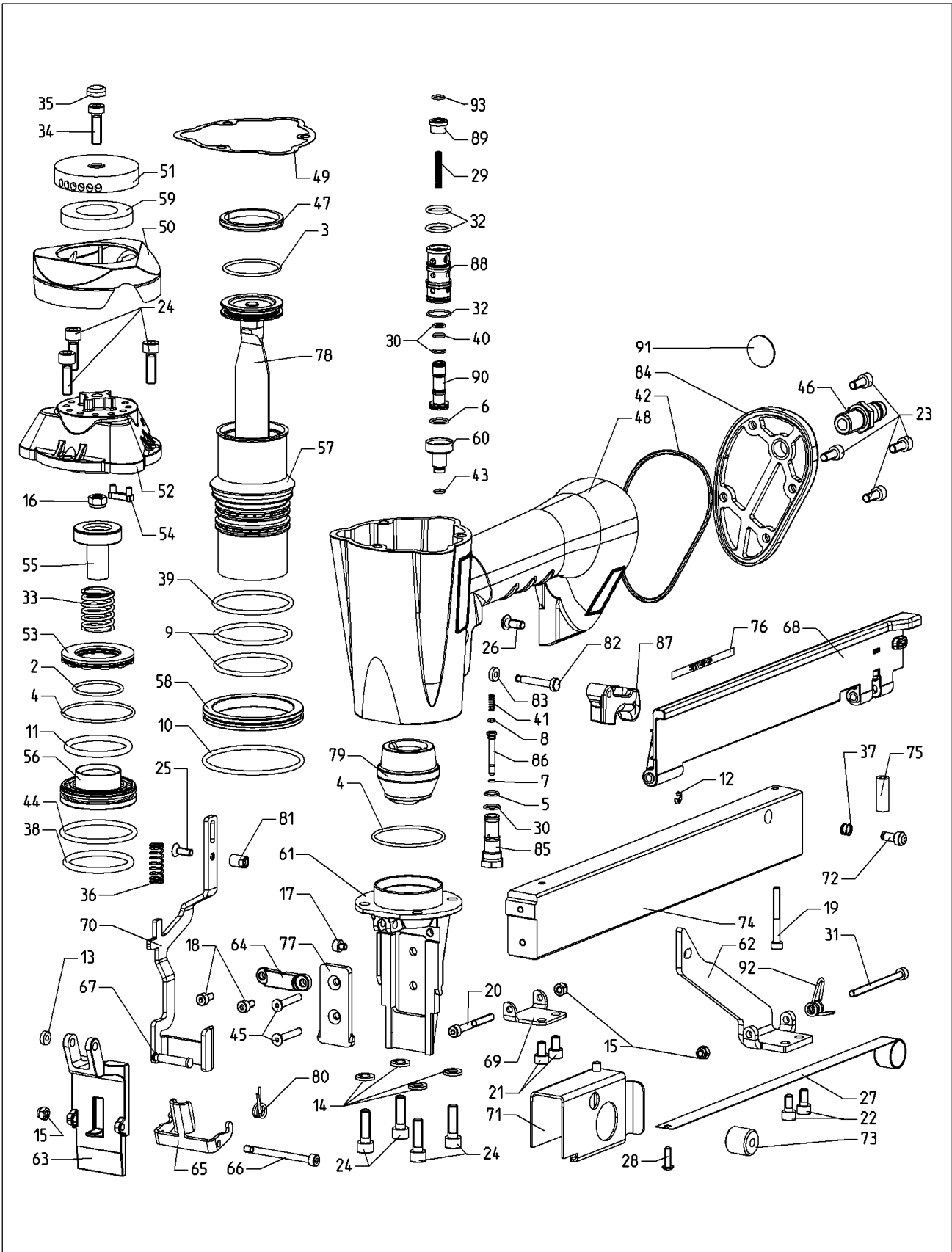


Typ 42/40-776C (Art.-Nr. 12000663)
Type



| | | | | | | | | | | | |
|----|-----------------------------|----------|----|-------------------------|----------|----|------------------------------|----------|----|--------------------------|----------|
| 2 | O-Ring | 13300021 | 36 | Druckfeder | 13303060 | 59 | Schalldämpfer | 14408894 | 77 | Werkzeug Teil 2 | 14415084 |
| 3 | O-ring | 13300024 | 37 | Compression spring | 13303063 | | Silencer | | | Back nose | |
| 4 | Joint torique | 13300028 | | Ressort à pression | | | Amortisseur de bruit | | | Plaque arrière | |
| 5 | Aro torico | 13300051 | | Muelle de presión | | | Silenciador | | | Placa guia posterior | |
| 6 | | 13304007 | | | | | | | | | |
| 7 | | 13300060 | 38 | O-Ring | 13303088 | 60 | Zwischenhülse | 14414629 | 78 | Kolben, kompl. | 14413137 |
| 8 | | 13300065 | 39 | O-ring | 13303092 | | Cylinder, intermediate valve | | | Piston, cpl. | |
| 9 | | 13300088 | 40 | Joint torique | 13300007 | | Arbre intermédiaire | | | Piston, cpl. | |
| 10 | | 13300114 | | Aro torico | | | Valvula intermedio cilindro | | | Piston, cpl. | |
| 11 | | 13300133 | | | | | | | | | |
| 12 | Sicherungsring | 13300347 | 41 | Druckfeder | 13303110 | 61 | Kopfstück | 14415083 | 79 | Puffer | 14413139 |
| 13 | Circlip | 13300355 | | Compression spring | | | Nose housing | | | Bumper | |
| | Clips | | | Ressort à pression | | | Tête | | | Amortisseur | |
| | Aro de seguridad | | | Muelle de presión | | | Testero | | | Amortiguador | |
| 14 | Federring | 13300375 | 42 | O-Ring | 13303128 | 62 | Lasche | 14413120 | 80 | Schenkelfeder | 14408555 |
| | Spring washer | | 43 | O-ring | 13303134 | | Hook plate | | | Leg spring | |
| | Clips | | 44 | Joint torique | 13303771 | | Plaque d'ancrage | | | Ressort à branches | |
| | Anillo elastico | | | Aro torico | | | Placa con ganchos | | | Muelle en pata | |
| 15 | Sicherungsmutter | 13300437 | 45 | Senkschraube | 13303939 | 63 | Kopfstückklappe | 14413121 | 81 | Hülse | 14407743 |
| 16 | Safety nut | 13300439 | | Countersunk screw | | | Nose housing door | | | Sleeve | |
| | Ecrou de sûreté | | | Vis creuse fraisée | | | Clapet de la tête | | | Douille | |
| | Tornillo de seguridad | | | Tornillo avellanado | | | Puerta testero | | | Adaptador | |
| 17 | Zylinderschraube | 13301100 | 46 | Stecknippel | 14000244 | 64 | Werkzeug Teil 1 | 14413122 | 82 | Ventilhebelstift | 14407744 |
| 18 | Allan screw | 13301102 | | Plug-in nipple | | | Front nose | | | Trigger valve stem | |
| 19 | Vis cylindrique | 13301111 | | Raccord enfichable | | | Plaque frontale | | | Axe de levier de détente | |
| 20 | Tornillo allen | 13301113 | | Manguito enchufable | | | Placa guia delantera | | | Pasador valvula gatillo | |
| 21 | | 13301115 | 47 | Kolbenring | 14408883 | 65 | Hebel | 14413123 | 83 | Sicherungsring | 14408556 |
| 22 | | 13301116 | | Piston ring | | | Lever | | | Circlip | |
| 23 | | 13301117 | | Segment de piston | | | Levier | | | Clips | |
| 24 | | 13303986 | | Aro del piston | | | Palanca | | | Aro de seguridad | |
| 25 | Senkschraube | 13301273 | 48 | Gehäuse | 14408885 | 66 | Zylinderschraube | 14413150 | 84 | Endscheibe | 14407752 |
| | Countersunk screw | | | Body | | | Allan screw | | | Pièce queue | |
| | Vis creuse fraisée | | | Corps | | | Vis cylindrique | | | Piezza terminal | |
| | Tornillo avellanado | | | Cuerpo | | | Tornillo allen | | | Piezza final | |
| 26 | Linsenschraube | 13301352 | 49 | Kappendichtung | 14408886 | 67 | Achse | 14413124 | 85 | Ventilbuchse | 14407761 |
| | Lens head screw | | | Cap seal | | | Pin | | | Valve bush | |
| | Vis creuse fraisée | | | Capuchon douille | | | Axe | | | Douille de soupape | |
| | Tornillo cabeza de la lente | | | Cabeza de fijacion | | | Eje | | | Casquillo valvula | |
| 27 | Rolfeder | 13301614 | 50 | Kappenabdeckung | 14408887 | 68 | Abdeckschiene, kompl. | 14413125 | 86 | Schaltstift | 14407762 |
| | Roller spring | | | Cover | | | Cover, cpl. | | | Valve pin | |
| | Ressort enroulé | | | Cache | | | Rail de couverture, cpl. | | | Bouton de commande | |
| | Muelle espiral | | | Tapa | | | Tapa cargador, cpl. | | | Pasador valvula | |
| 28 | Linsenschraube | 13301774 | 51 | Luftleitdeckel | 14408888 | 69 | Winkel | 14413127 | 87 | Ventilhebel, kompl. | 14407946 |
| | Lens head screw | | | Air deflector | | | Angle | | | Trigger, compl. | |
| | Vis creuse fraisée | | | Couvercle de déflecteur | | | Angle | | | Levier de détente | |
| | Tornillo cabeza de la lente | | | Tapa deflectora de aire | | | Angulo | | | Palanca valvula gatillo | |
| 29 | Druckfeder | 13301775 | 52 | Kappe | 14408889 | 70 | Auslösebügel | 14413128 | 88 | Steuerhülse | 14413986 |
| | Compression spring | | | Cap | | | Safety yoke | | | Socket | |
| | Ressort à pression | | | Capuchon | | | Palpeur de sécurité | | | Douille | |
| | Muelle de presión | | | Cabeza | | | Estribo de seguridad | | | Casquillo | |
| 30 | O-Ring | 13302647 | 53 | Kappenscheibe | 14408890 | 71 | Vorschieber | 14413129 | 89 | Steuerbuchse | 14413759 |
| | O-ring | | | Cap disc | | | Pusher | | | Valve bushing | |
| | Joint torique | | | Rondelle du capuchon | | | Chariot | | | Douille de soupape | |
| | Aro torico | | | Arandela de cabeza | | | Empujador | | | Casquillo valvula | |
| 31 | Zylinderschraube | 13302942 | 54 | Stopfen | 14408898 | 72 | Vorschieberarretierung | 14413130 | 90 | Steuerkolben | 14413758 |
| | Allan screw | | | Post cap | | | Pusher stop | | | Piston | |
| | Vis cylindrique | | | Capuchon | | | Bouton d'arrêt pour chariot | | | Piston | |
| | Tornillo allen | | | Capuchon | | | Boton parada empujador | | | Pistón | |
| 32 | O-Ring | 13302993 | 55 | Anschlagdämpfer | 14409189 | 73 | Rolfederhalter | 14413131 | 91 | Aufkleber Öl | 14408596 |
| | O-ring | | | Piston stop | | | Support for roller spring | | | Oil label | |
| | Joint torique | | | Butée de piston | | | Plaque pour ressort enroulé | | | Huile Étiquette | |
| | Aro torico | | | Piston con tope | | | Soporte para muelle en rollo | | | Aceite Etiqueta | |
| 33 | Druckfeder | 13302994 | 56 | Hauptventil | 14408891 | 74 | Klammerträger, kompl. | 14413540 | 92 | Schenkelfeder | 14404611 |
| | Compression spring | | | Main valve | | | Staple carrier, cpl. | | | Leg spring | |
| | Ressort à pression | | | Soupape principale | | | Support d'agrafes, cpl. | | | Ressort à branches | |
| | Muelle de presión | | | Valvula principal | | | Cargador grapas, cpl. | | | Muelle en pata | |
| 34 | Zylinderschraube | 13303014 | 57 | Zylinder | 14408892 | 75 | Buchse | 14413133 | 93 | O-Ring | 13300057 |
| | Allan screw | | | Cylinder | | | Bushing | | | O-ring | |
| | Vis cylindrique | | | Cylindre | | | Douille | | | Joint torique | |
| | Tornillo allen | | | Cilindro | | | Casquillo | | | Aro torico | |
| 35 | Schraubenabdeckung | 3303015 | 58 | Zylinderring | 14408893 | 76 | Aufkleber Magazin | 14415086 | | | |
| | Screw Cover | | | Cylinder spacer | | | Magazine label | | | | |
| | VisCache | | | Anneau de cylindre | | | Étiquette | | | | |
| | Tornillo Tapa | | | Espaciador del cilindro | | | Etiqueta | | | | |

Serwis narzędzi

BeA[®]

BIZON



w Polsce:



BizeA Sp. z o.o.

Tomice, ul. Europejska 4

05-532 Baniocha k. Warszawy

www.bizea.com.pl



Kontakt z Działem Serwisu: serwis@bizea.com.pl

<https://www.bizea.com.pl/www/serwis.html>

Sprzedaż części zamiennych tel.: 22 244 17 26

Wysyłasz narzędzie do naszego Serwisu?

Skorzystaj z formularza na naszej stronie – kurier GLS odbierze paczkę i dostarczy do nas:

Pamiętaj o:

- bezpiecznym zapakowaniu przesyłki na czas transportu
- podaniu danych adresowych do odebrania narzędzia
- podaniu kontaktu do osoby, która może udzielić dodatkowych informacji
- załączeniu pełnego opisu usterki - dzięki temu będziemy mogli zwrócić uwagę na konkretne problemy

Informacje o narzędziach w serwisie tel.: 22 244 17 37

Zamówienia części zamiennych:

Polecamy schematy interaktywne do generowania zapytań / zamówień, wybieraj, wysyłaj szybko i wygodnie z naszej strony:

(dostępne dla zalogowanych użytkowników)

<https://www.bizea.com.pl/schematy/lista.php> :

